



# QUFRESH®

## Owner's Manual

### QuFresh Air Scrubber AS1000WHT



Carry  
Handle



3 Prong  
Plug



## SAFETY



This safety alert symbol is used to alert you to potential personal injury hazards. Obey all safety messages that follow this symbol to avoid possible injury or death.



**DANGER**

Danger indicates an imminently hazardous situation, which, if not avoided, will result in death or serious injury.



**WARNING**

Warning indicates a potentially hazardous situation, which, if not avoided, could result in death or serious injury.

**SAFETY INSTRUCTIONS WARNING: TO REDUCE THE RISK OF FIRE, ELECTRIC SHOCK, OR INJURY TO PERSONS, OBSERVE THE FOLLOWING:**



**CAUTION**

Caution indicates a potentially hazardous situation, which, if not avoided, may result in minor or moderate injury.



**ELECTRICAL SHOCK**

Used to indicate an electrical shock or electrocution hazard.

# General Information

Thank you for choosing the QuFresh Air Scrubber.

The QuFresh Air Scrubber is a portable filtration system that draws air in from the surrounding environment and passes it through an advanced filtration system.

The unit removes airborne particles like dust, mold spores, pollen, pet dander and miscellaneous debris.

It uses an efficient mix of airflow and filtration to create “cleaner” air.

The unit’s maximum 500 CFM motor draws air into three types of filters: a pre-filter, an activated carbon filter, and a HEPA filter.

The first stage of filtration captures larger particles, the second stage of filtration effectively captures airborne toxicants and the third stage of filtration captures much smaller particles down to 0.3 microns (such as mold spores and fungi).

You can use the air scrubber for mold remediation, water damage restoration, or other applications where higher volumes of clean air are needed.

# IMPORTANT INSTRUCTIONS

When using any electrical appliance, basic safety precautions should always be followed.

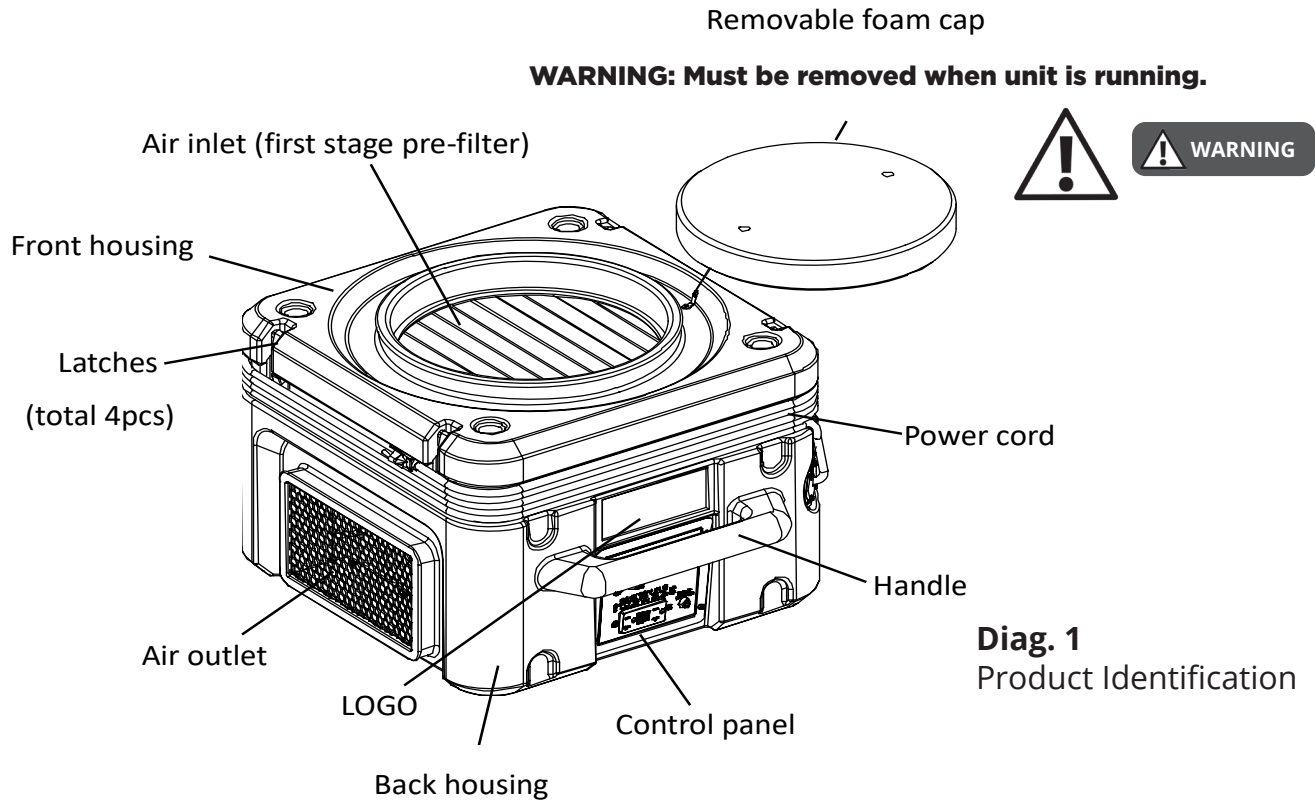


**WARNING:** To reduce the risk of fire, electrical shock or injury to persons or property:

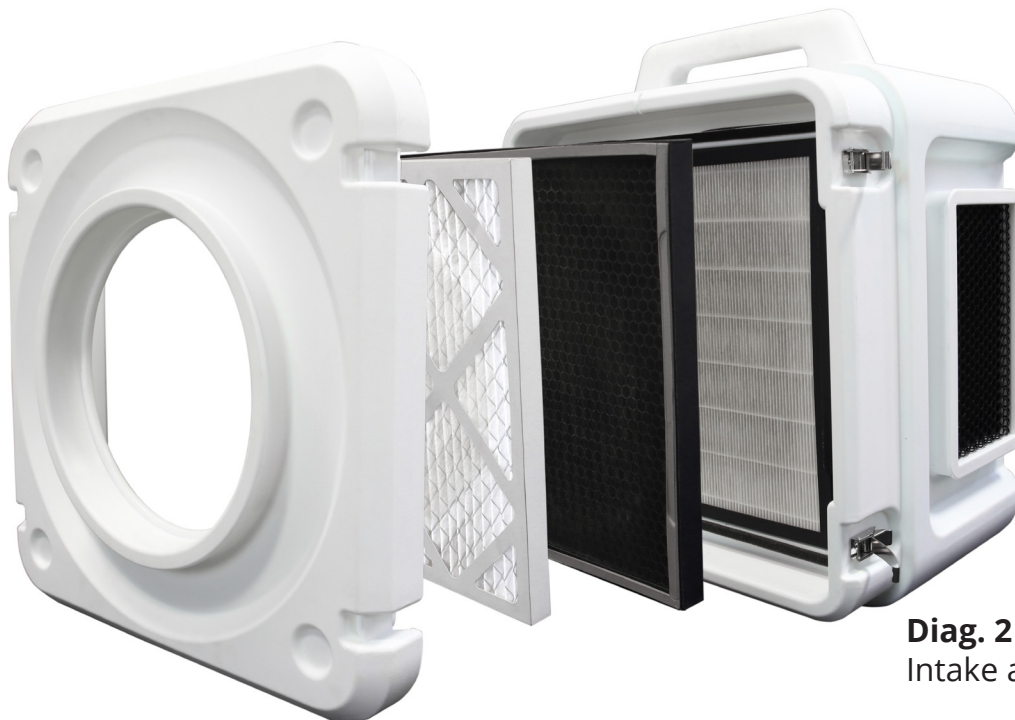


1. Always operate the unit from a power source of the same voltage, frequency and rating as indicated on the product identification plate.
2. Close supervision is necessary when any product is used by or near children, the elderly or the infirm. Do not allow children to use the appliance as a toy.
3. Do not operate any product with a damaged power cord or plug, after the product malfunctions, or if the product is dropped or damaged in any way. Return the complete product to the place of purchase for inspection, repair or replacement.
4. Switch off and unplug from the power socket when not in use, before assembling or before cleaning.
5. Do not operate in standing water.
6. Keep wiring and motor dry. If electrical components become wet, allow them to dry completely before using.
7. Unit must be electrically grounded. Insert 3-prong plug on power cord directly into matching grounded receptacle.
8. Never use a water hose or pressure washer to clean electrical components; water could enter the electrical compartment causing a shock hazard.

# PRODUCT IDENTIFICATION

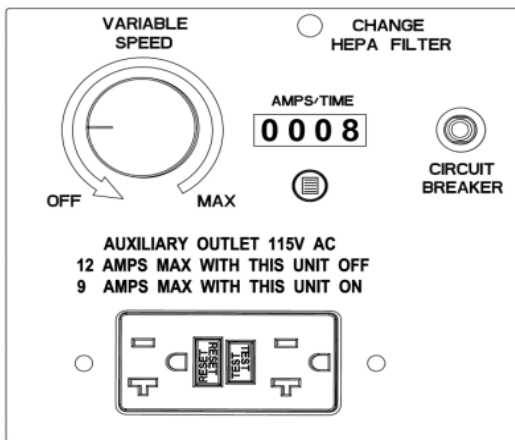


**Diag. 1**  
Product Identification



**Diag. 2**  
Intake and filters

# CONTROL PANEL



**Diag. 3**  
Control Panel Layout

**1. VARIABLE SPEED:**

Used to control fan motor speed and unit ON/OFF.  
Maximum setting to 500 CFM

**2. AMPS/TIME:**

Press (ICON) key to toggle display from actual running amps to total running time

**3. CHANGE HEPA FILTER:**

Change HEPA Filter light illuminates when you need to change the HEPA filter.

**4. CIRCUIT BREAKER:**

The primary purpose of the circuit breaker is to protect the wiring to the machine. It turns the unit off when more than 12 amps runs through the circuit.

**5. GROUND FAULT CIRCUIT INTERRUPTER (GFCI):**

The GFCI helps protect the user should it detect a sudden “ground fault,” the GFCI will interrupt the electrical current. The GFCI will also trip when a short circuit or an overload occurs. When the GFCI “trips,” unplug the unit, and look for potential hazards such as standing water, frayed cords, etc. or anything that would cause a surge of electrical current. Relocate the unit and plug it into a different outlet. Then push the “RESET” button and check to see if it is operating; if so, continue use, if not contact your local distributor.



# FILTER MAINTENANCE

The air scrubber utilizes a 3-stage filtration system, designed with the most advanced HEPA filtration technology available.

Please replace the HEPA filter when the Change HEPA Filter indicator light comes on.

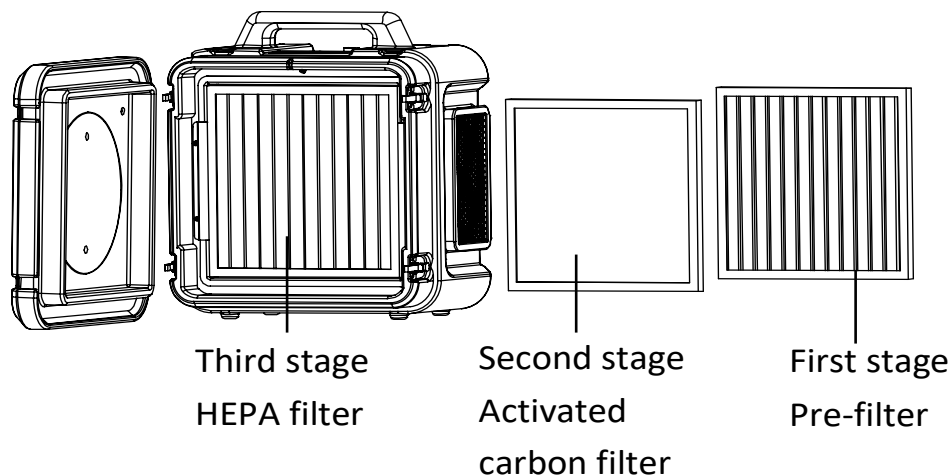
Inspect pre-filter before each use. Look for accumulated dust and dirt that could restrict airflow through the filter into the unit. If any is visible dust or dirt replace the pre-filter.

For environments with a high volume of aerosolized particles you can often replace a dirty pre-filter to extend the life of the HEPA filter.

Replace filter procedures should be performed as follows:

1. Loosen the 4 latches to take apart front housing
2. Remove used dirty filters and replace

**WARNING:** To minimize possible exposure to harmful materials, airborne pathogens, and biological hazards, proper personal protective equipment (PPE) should be worn while replacing filters or cleaning unit. Dispose of used filter in a sealed bag.



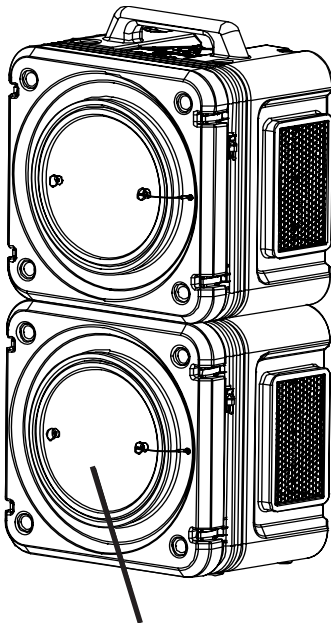
# SPECIALIZED FEATURES

## Daisy-Chain Capability

The air scrubber is designed for optimal versatility and convenience. You can interconnect up to three units by plugging the third into the auxiliary outlet of the second and the second into the auxiliary outlet of the first to create a maximum of 500, 1000, or 1500 CFM using only 1 electrical supply outlet.

## Stacking the Unit

To save floor space during storage, up to 3 units can be stacked vertically. Orient the unit so the handle of the lower unit fits into the base of the upper unit. You can also stack them horizontally for space saving storage, or operate a unit with its outlet facing upward.



**WARNING:** Foam cap must be removed when unit is operating.

**WARNING:** When stacking units, beware of tipping.

Do not stack more than 3 units on top of each other.

Falling equipment could cause bodily harm.



# TROUBLESHOOTING

FAULT	CAUSE	SOLUTION
Unit does not operate	No power to machine	Plug in the unit; check power at outlet
	Switch not turned on	Turn on the switch
	No power to outlet	Reset circuit breaker/GFCI
	GFCI tripped	Reset circuit breaker/GFCI
Change light illuminated	Primary filter is full	Replace the filters; refer to maintenance section
	Air intake restricted	Remove any obstructions to airflow intake
Blower wheel not turning	Obstructed blower	Remove obstruction
	Loose blower wheel set screw	Tighten set screw

**WARNING:**

DO NOT attempt to rectify faults using unqualified personnel  
 If the problem you are experiencing is not listed here, call your local distributor.



# SPECIFICATIONS

Power Supply:	115V / 60Hz / 210W 1.8A
Process Air:	MAX 500 CFM
MERV-9 Pre-Filter (inches):	16 x 16 x 1
Activated Carbon Filter (inches):	16 x 16 x 1
HEPA Filter (inches):	16 x 16 x 2
Unit Size (inches):	25.5 x 16.5 x 22.625
Packing Size (inches):	26 x 17 x 22.875
Net/Gross Weight (lbs):	46/51
Complied:	cETLus





**VENTAMATIC, Ltd.**  
**LIMITED WARRANTY STATEMENT**

This warranty is underwritten by Falco Insurance Company and is extended to the original retail purchaser of this model or, if this unit is purchased and requires installation by a building contractor, to the original owner of the home. No subsequent purchaser of the unit or of a home in which it is installed is entitled to any of the benefits of this warranty.

This product is warranted against defects in materials and workmanship for a period of one (1) year from the date of original retail purchase. No other parts or components are warranted. There is no warranty for defects caused by abuse, faulty installation, or the like.

Repairs or replacement parts supplied under this warranty are warranted only for the period of this warranty; that is, one (1) year from the date of the original retail purchase of the unit.

In the event of a defect or malfunction, we will replace or repair the defective part or component only and return the new or repaired part to you freight prepaid.

You must bear all other expenses incurred in obtaining repairs, including labor required for field repair or replacement, and the cost of shipping the defective part to us. You must also bear the cost of repair to or replacement of any part or component and the shipping charges incurred for the repair or replacement and return to you of any part or component not covered by this warranty, including parts or components damaged by you.

The company reserves the right to demand and receive written evidence of the date of purchase before undertaking its obligations under this warranty. The right to demand and receive written evidence of date of purchase extends to all licensed dealers of Ventamatic, Ltd. products.

You should, therefore, retain your sales slip and attach a copy of it to the warranty claim.

**To start a warranty claim you must:**

Contact Ventamatic, Ltd.

An RGA (Returned Goods Authorization) form is required for returns to the factory to ensure your return can be processed efficiently and quickly. Please contact Ventamatic, Ltd. toll-free at 800-433-1626 or via web at [www.bvc.com](http://www.bvc.com) to obtain an RGA and follow the instructions given.

There is no informal dispute settling mechanism available in the event of a controversy involving this warranty.

Any and all implied warranties which may exist terminate upon the expiration of this warranty one (1) year from the date of the original retail purchase. Some states do not allow limitations on how long an implied warranty lasts, so this limitation may not apply to you.

Ventamatic, Ltd. is not liable to you for incidental or consequential damages arising out of defect or malfunction of a unit or its installation or out of any alleged breach of this warranty. Some states do not allow the exclusion or limitation of incidental or consequential damages, so this limitation may not apply to you.

This warranty gives you specific legal rights and you may also have other rights which may vary from state to state.

rev. 04/19